

# GALAXY



WaterMark

## LEAD FREE VALVES



TIANJIN GALAXY VALVE CO., LTD ▪ No.49, Guanghui Road, Beizhakou Town, Jinnan District, Tianjin, China  
[www.galaxyvalves.com](http://www.galaxyvalves.com)

**Fig. 2302V**

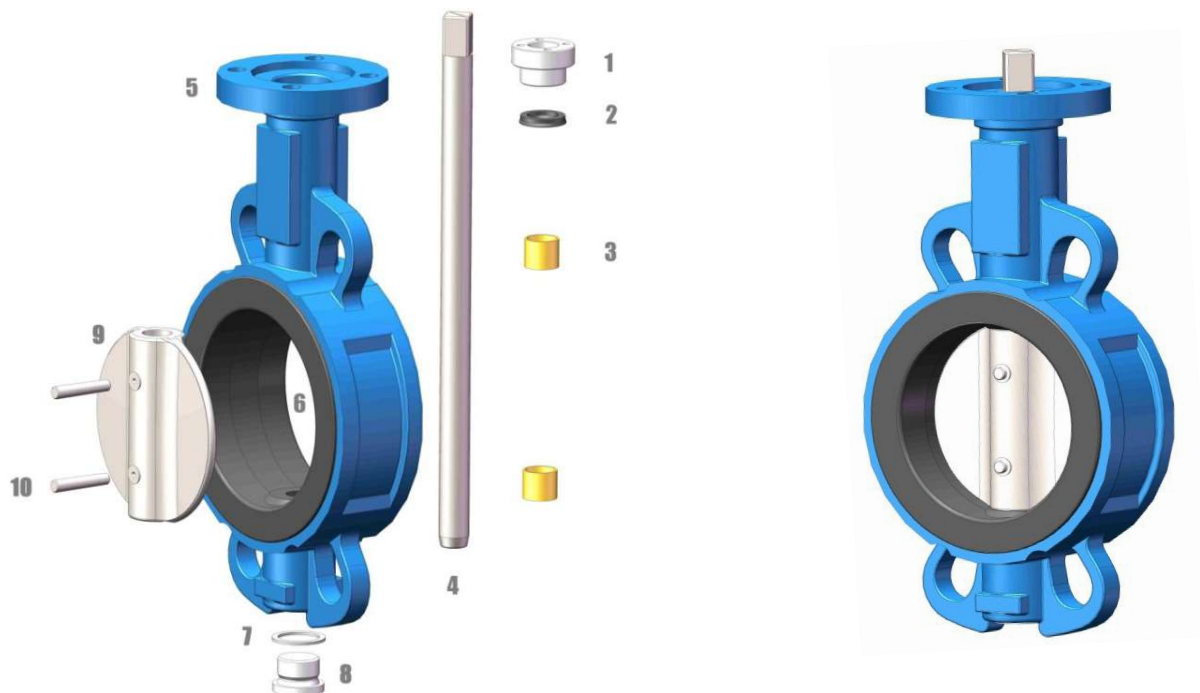
## Wafer Rubber Lining Butterfly Valve

### Features

Face to Face Design	ISO 5752-20/ EN558-1		
Flange Connection	ANSI Class125/150	JIS 5/10/16/20K	AS2129 Table D/E
	BS4504 EN1092 PN6/10/16/25		
Working Pressure	16 bar		
Testing Pressure	Shell Test: 24 bar	Seal Test: 17.6 bar	
Working Temperature	-10°C to 120°C		



**WaterMark**  
Licence No.: WM-022880



### Material Specification

No.	Description	Material	Specification
1	Gland	Stainless Steel	ASTM A276 304
2	Y-Ring	EPDM	EN681-1
3	Bushing	Stainless Steel	ASTM A276 304
		Bronze	ASTM B16
4	Shaft	Stainless Steel	ASTM A351 431
5	Body	Ductile Iron	AS 1831 450-10
6	Lining Rubber	EPDM	EN681-1
7	Sealing Gasket	PTFE	
8	Socket Plug	Stainless Steel	ASTM A276 304
9	Disc	Stainless Steel	ASTM A351 CF8M
10	Pin	Stainless Steel	ASTM A276 316

### Design Torque

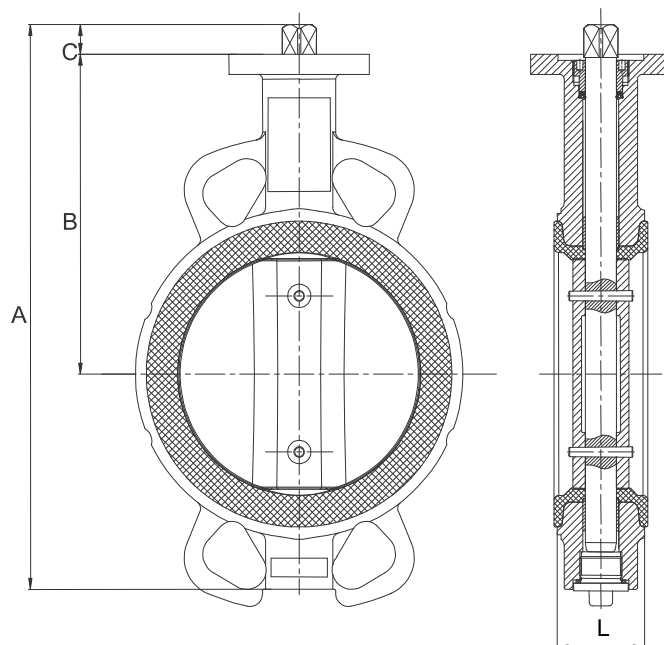
Size	Torque	Size	Torque
DN50	8	DN250	245
DN65	11	DN300	340
DN80	15	DN350	475
DN100	25	DN400	730
DN125	35	DN450	1050
DN150	62	DN500	1270
DN200	129	DN600	2150

(Unit: Nm)  
No Safety Factor

Note: Subject to change without prior notice due to products optimization.

**Fig. 2302V**

## Wafer Rubber Lining Butterfly Valve



  
**WaterMark**  
 Licence No.: WM-022880

### Dimension

<b>DN</b>	<b>mm</b>	<b>50</b>	<b>65</b>	<b>80</b>	<b>100</b>	<b>125</b>	<b>150</b>	<b>200</b>
	<b>inch</b>	<b>2</b>	<b>2.5</b>	<b>3</b>	<b>4</b>	<b>5</b>	<b>6</b>	<b>8</b>
<b>L</b>	<b>mm</b>	43	46	46	52	56	56	60
<b>A</b>	<b>mm</b>	230	253	276	304	332	341	429
<b>B</b>	<b>mm</b>	143	156	162	177	190	205	236
<b>C</b>	<b>mm</b>	15	19	19	19	19	19	25
<b>DN</b>	<b>mm</b>	<b>250</b>	<b>300</b>	<b>350</b>	<b>400</b>	<b>450</b>	<b>500</b>	<b>600</b>
	<b>inch</b>	<b>10</b>	<b>12</b>	<b>14</b>	<b>16</b>	<b>18</b>	<b>20</b>	<b>24</b>
<b>L</b>	<b>mm</b>	68	78	78	102	114	127	154
<b>A</b>	<b>mm</b>	506	583	680	794	846	946	1099
<b>B</b>	<b>mm</b>	267	308	368	400	422	480	562
<b>C</b>	<b>mm</b>	32	32	40	52	52	64	70

*Note: Subject to change without prior notice due to products optimization.*

**Fig. 2502V**

**Wafer**

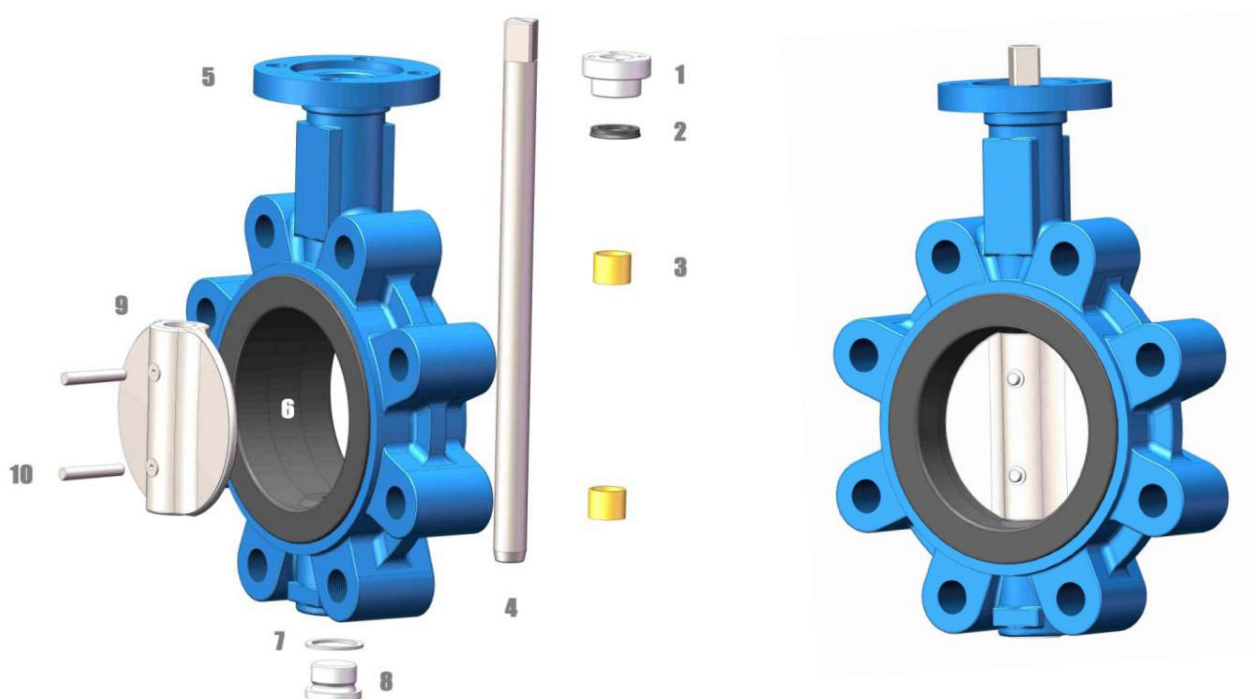
**Rubber Lining Butterfly Valve**

**Features**

Face to Face Design	ISO 5752-20/ EN558-1	
Flange Connection	ANSI Class125/150 AS2129 Table D/E BS4504 EN1092 PN10/16/25/	
Working Pressure	16 bar	
Testing Pressure	Shell Test: 24 bar	Seal Test: 17.6 bar
Working Temperature	-10°C to 120°C	



**WaterMark**  
Licence No.: WM-022880



**Material Specification**

No.	Description	Material	Specification
1	Gland	Stainless Steel	ASTM A276 304
2	Y-Ring	EPDM	EN681-1
3	Bushing	Stainless Steel	ASTM A276 304
		Bronze	ASTM B16
4	Shaft	Stainless Steel	ASTM A351 431
5	Body	Ductile Iron	AS 1831 450-10
6	Lining Rubber	EPDM	EN681-1
7	Sealing Gasket	PTFE	
8	Socket Plug	Stainless Steel	ASTM A276 304
9	Disc	Stainless Steel	ASTM A351 CF8M
10	Pin	Stainless Steel	ASTM A276 316

**Design Torque**

Size	Torque	Size	Torque
DN50	8	DN250	245
DN65	11	DN300	340
DN80	15	DN350	475
DN100	25	DN400	730
DN125	35	DN450	1050
DN150	62	DN500	1270
DN200	129	DN600	2150

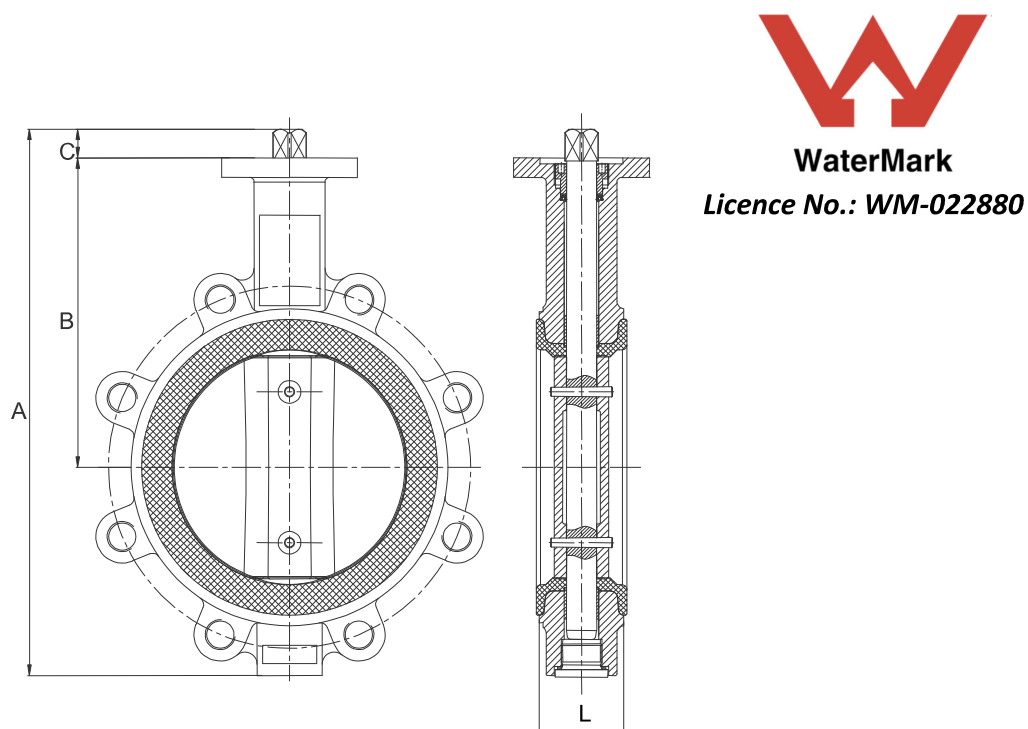
(Unit: Nm)

No Safety Factor

*Note: Subject to change without prior notice due to products optimization.*

**Fig. 2502**

## Wafer Rubber Lining Butterfly Valve



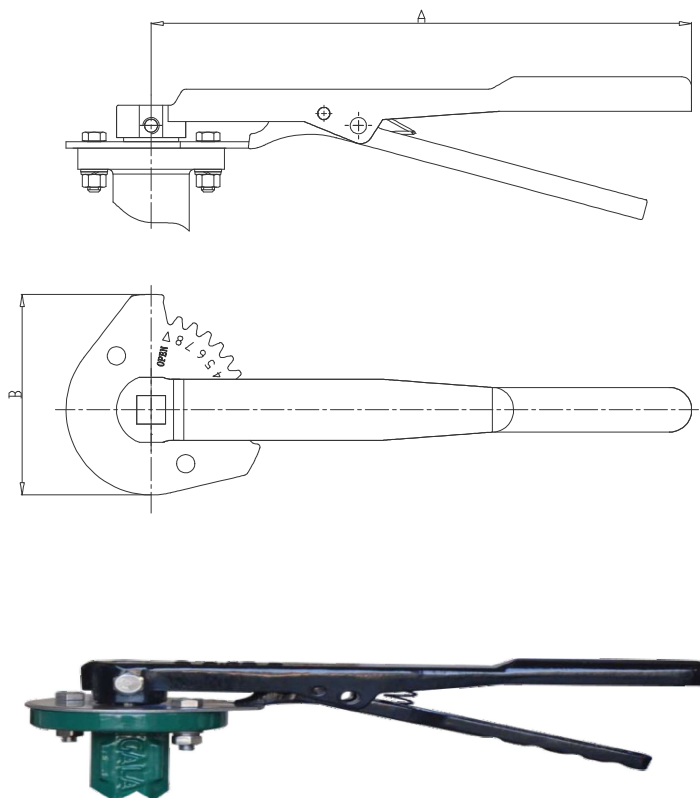
### Dimension

<b>DN</b>	<b>mm</b>	<b>50</b>	<b>65</b>	<b>80</b>	<b>100</b>	<b>125</b>	<b>150</b>	<b>200</b>
	<b>inch</b>	<b>2</b>	<b>2.5</b>	<b>3</b>	<b>4</b>	<b>5</b>	<b>6</b>	<b>8</b>
<b>L</b>	<b>mm</b>	43	46	46	52	56	56	60
<b>A</b>	<b>mm</b>	230	253	276	304	332	341	429
<b>B</b>	<b>mm</b>	143	156	162	177	190	205	236
<b>C</b>	<b>mm</b>	15	19	19	19	19	19	25
<b>DN</b>	<b>mm</b>	<b>250</b>	<b>300</b>	<b>350</b>	<b>400</b>	<b>450</b>	<b>500</b>	<b>600</b>
	<b>inch</b>	<b>10</b>	<b>12</b>	<b>14</b>	<b>16</b>	<b>18</b>	<b>20</b>	<b>24</b>
<b>L</b>	<b>mm</b>	68	78	78	102	114	127	154
<b>A</b>	<b>mm</b>	506	583	680	794	846	946	1099
<b>B</b>	<b>mm</b>	267	308	368	400	422	480	562
<b>C</b>	<b>mm</b>	32	32	40	52	52	64	70

*Note: Subject to change without prior notice due to products optimization.*

## Lever Operator

## Malleable Iron Lever



### Material Specification

Description	Material
Lever	Malleable Iron
Top Plate	Stainless Steel 304

### Dimension

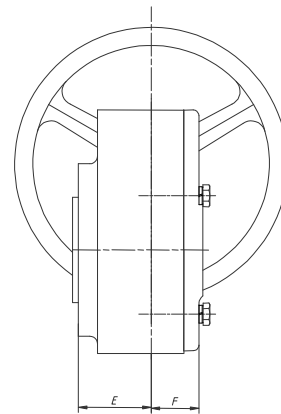
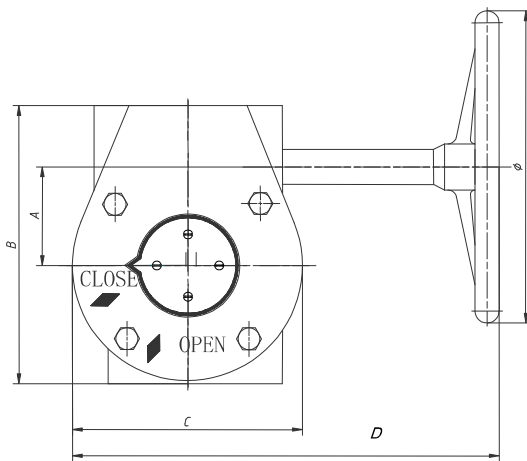
DN	mm	25~40	50~80	100	150	200~250	300
	inch	1~1-1/2	2~3	4	6	8~10	14
A	mm	195	266	266	328	386	391
B	mm	95	95	109	109	164	164

Note: Subject to change without prior notice due to products optimization.

## Gearbox Operator

## Transmission Gearbox

<b>Material Specification</b>	
<b>Description</b>	<b>Material</b>
<i>Housing</i>	<i>Cast Iron</i>
<i>Cover</i>	<i>Cast Iron</i>
<i>Worm</i>	<i>Carbon Steel</i>
<i>Worm Gear</i>	<i>Ductile Iron</i>
<i>Shaft</i>	<i>Carbon Steel</i>
<i>Hand wheel</i>	<i>Cast Iron</i>



### Dimension (mm)

<b>Type</b>	<b>Valve Size</b>	<b>A</b>	<b>B</b>	<b>C</b>	<b>D</b>	<b>E</b>	<b>F</b>	$\phi$	<b>Output Torque (N.m)</b>	<b>Rate</b>
3DC-15	DN50-DN200	45	127	105	195	38	25	145	150	24:1
3DC-50	DN250-DN300	63	179	152	313	46	34	300	500	32:1
3DC-120	DN350-DN400	78	200	164	307	46	36	300	1200	50:1
3DC-250	DN450-DN500	120	287.5	287	373	59	54	400	2200	80:1
3D-300	DN600	125	303	256	441	61	56	430	3000	84:1

*Note: Subject to change without prior notice due to products optimization.*

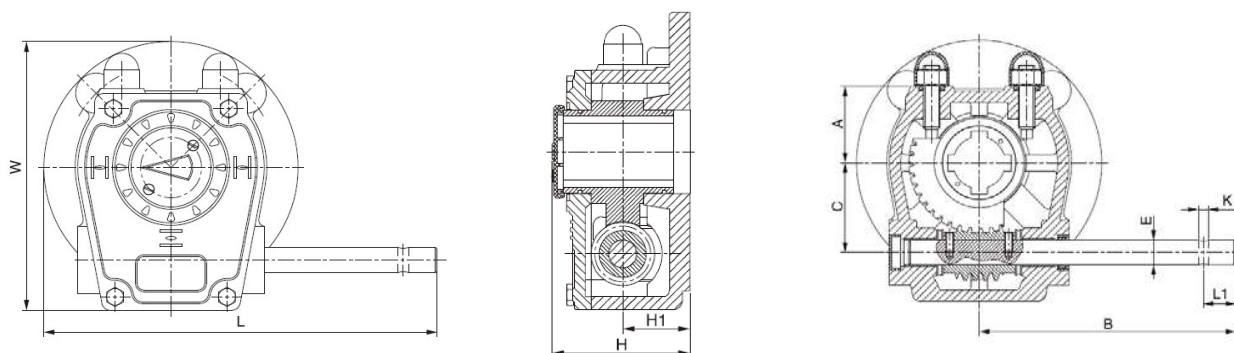
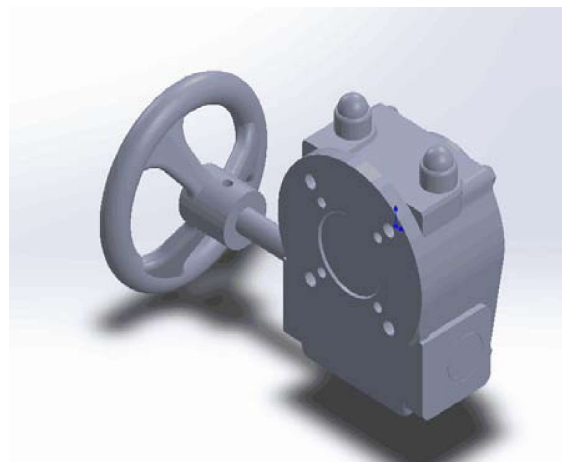


## Gearbox Operator

## Part-turn Worm Gearbox

### Features

1. Precision casting ductile iron housing
2. Optional output torque, range up to 32000 Nm
3. High efficient needle roller bearing
4. High strength steel input shaft
5. Stroke  $0^{\circ}$ - $90^{\circ}$  ( $\pm 5^{\circ}$ )
6. Compact structure
7. Grease filled for longer life
8. Adjustable stopper ( $\pm 5^{\circ}$ )
9. Good seal



### Material Specification

Description	Material	Description	Material
Housing	Ductile Iron	Worm	Steel
Cap	NBR	Sleeve	Bearing Steel
Adjustable Nut	Steel	Worm Shaft	Steel
Arrow	Engineering Plastic	O-ring	Steel
Indicator	Engineering Plastic	Sleeve	NBR
Bearing Cover	Engineering Plastic	Worm Shaft	Steel
Needle Roller Bearing	Bearing Steel	Fastener	Steel
Lubrication	Grease	Cover	Ductile Iron

### Dimension (mm)

Type	Valve Size	W	L	H	A	C	Hand wheel Dia.	Output Torque (N.m)	Rate
G-YH02	DN50-DN200	114.5	169.5	67	36	44.6	140mm	200	42:1
G-YH05	DN250-DN300	147.5	219.5	73	47	55	200mm	500	40:1
G-YH10	DN350-DN400	200.5	288.5	97	66.5	71	400mm	1000	34:1
G-YH20	DN450-DN500	263.5	316.5	105	78	86	500mm	2000	38:1
G-YH35	DN600	302	380	108.5	81	104.5	600mm	3250	55:1

Note: Subject to change without prior notice due to products optimization.



# GALAXY

A dynamic splash of blue water with white foam and bubbles, moving from the bottom left towards the top right, partially obscuring the word 'GALAXY'.

**TIANJIN GALAXY VALVE CO., LTD**

**No.49, Guanghui Road,  
BeizhakouTown,  
JINNAN DISTRICT,  
TIANJIN , CHINA**

**86-22-28750815**

**[www.galaxyvalves.com](http://www.galaxyvalves.com)**